

HydraMax[®] Home

Installation Guide

2-Bucket



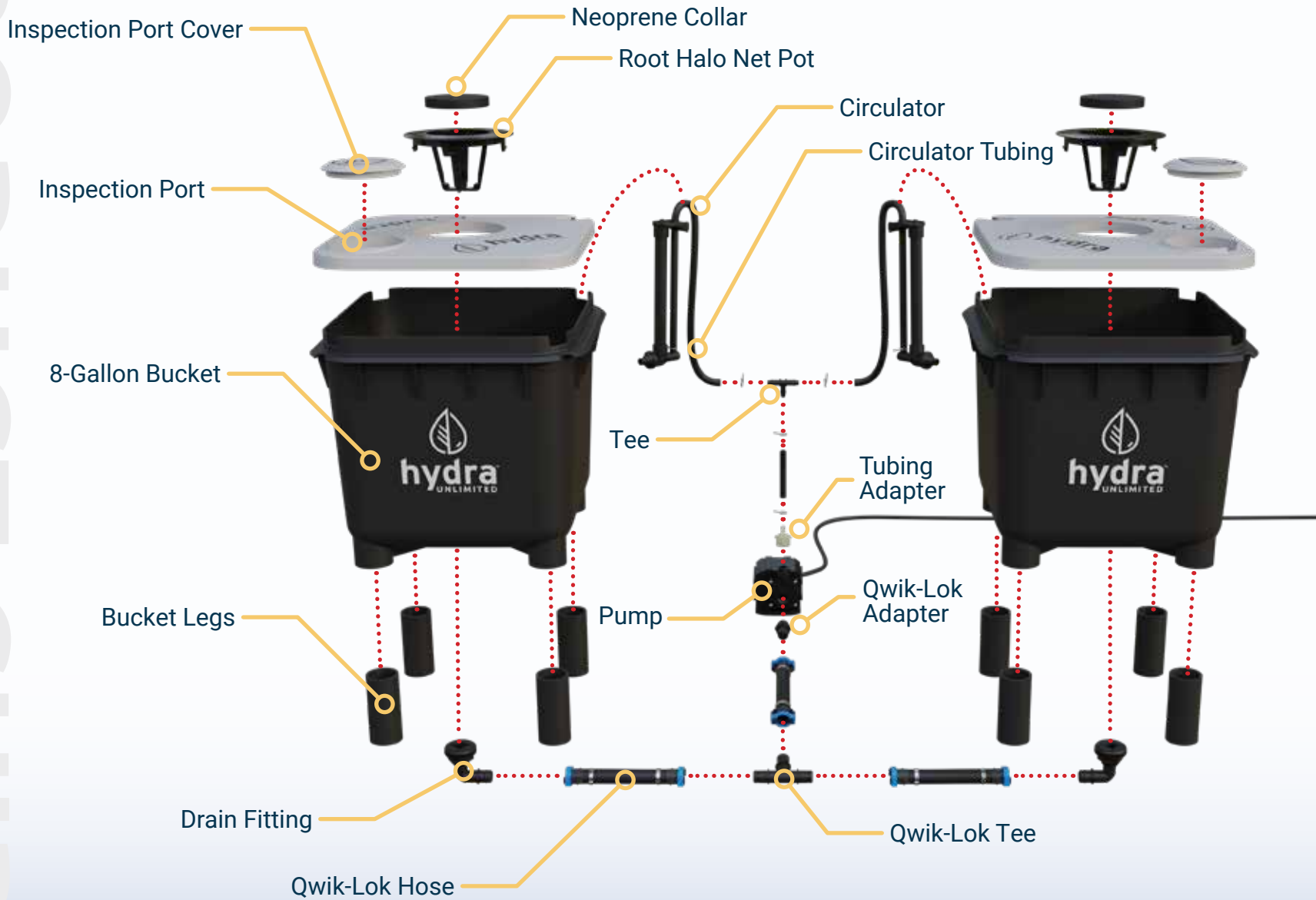
THANK YOU!

Welcome to the world of hydroponics with the HydraMax Recirculated Deep Water Culture System (RDWC)! We are thrilled to have you as part of our hydroponic community and would like to express our sincere gratitude for choosing the HydraMax system. Assembling your RDWC system is a breeze, designed with simplicity and efficiency at its core. Our comprehensive instructions and user-friendly design ensure a quick and hassle-free setup process. Get ready to unlock the full potential of your plants as they thrive in the oxygen-rich, nutrient-dense environment created by the HydraMax RDWC. Experience the wonders of hydroponics like never before!

Before you begin...

To ensure a smooth assembly process, there are a couple items you'll need. Firstly, make sure you have some teflon tape on hand to secure the pump adapter fittings effectively. This tape will provide a reliable seal, preventing any potential leaks. Additionally, having a pair of adjustable pliers will come in handy for securely tightening the threaded fittings. These pliers allow you to achieve a snug fit, ensuring the components are firmly connected.

System at a Glance



Pump Assembly

PRODUCT GUIDE



Start by applying Teflon tape to the pump adapters, then assemble the parts as illustrated. Before pushing the tubing over the barbs of the pump, tee and circulator, place spring clamps on both ends of the tubing. Finally, slide the spring clamps over the barbs to secure the tubing in place.

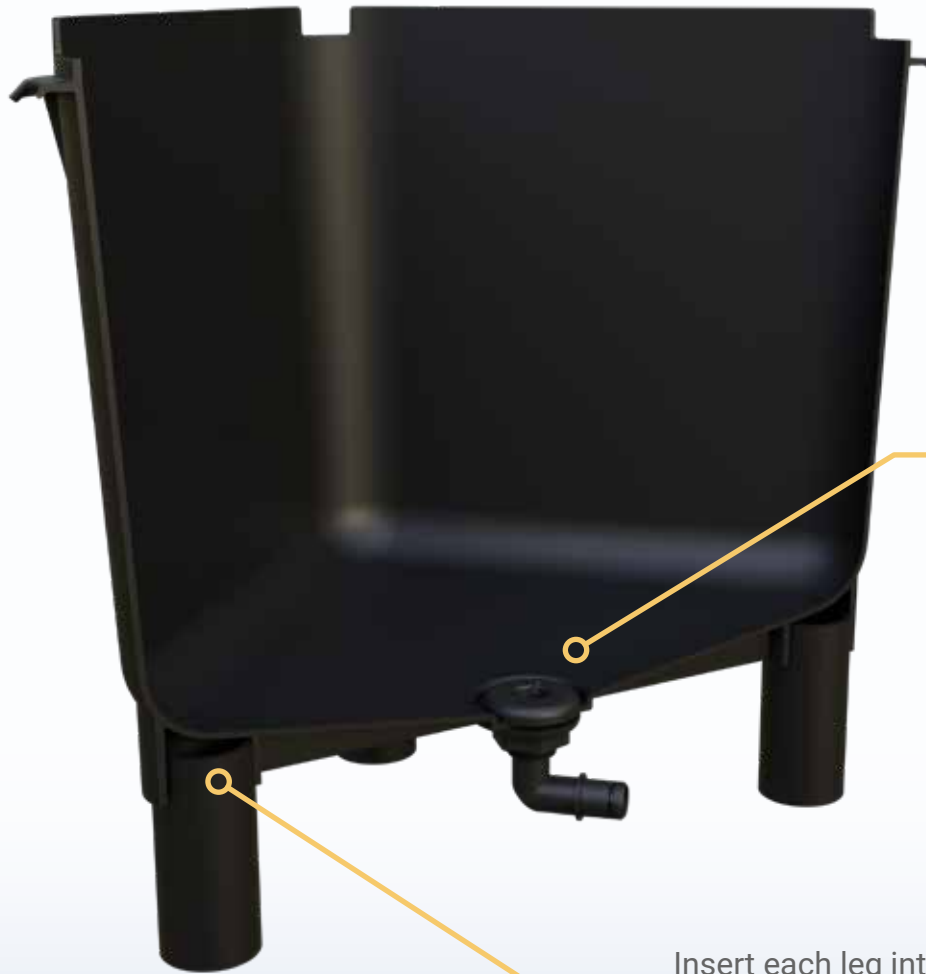


Apply 2-3 wraps of Teflon tape to the threads as shown.



Tighten the adapter to the pump until they are snug. Do not over-tighten.

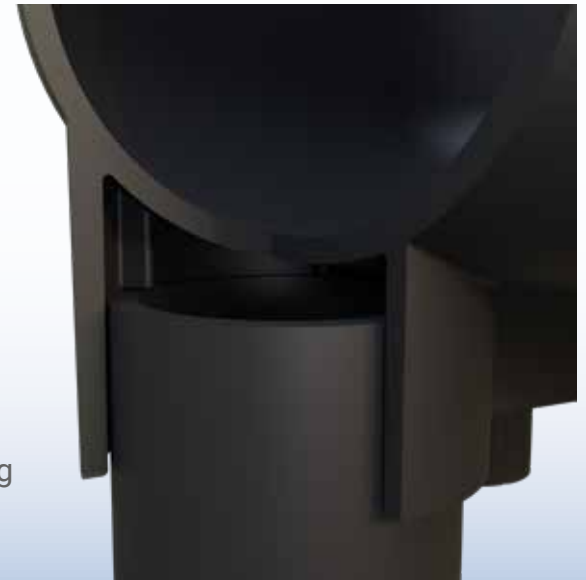
Bucket Assembly



Insert the drain fitting with gasket from inside the bucket and tighten the nut below.



Insert each leg into the bucket and then press or tap the bucket onto a level surface to ensure that each leg is fully seated.



Final Assembly

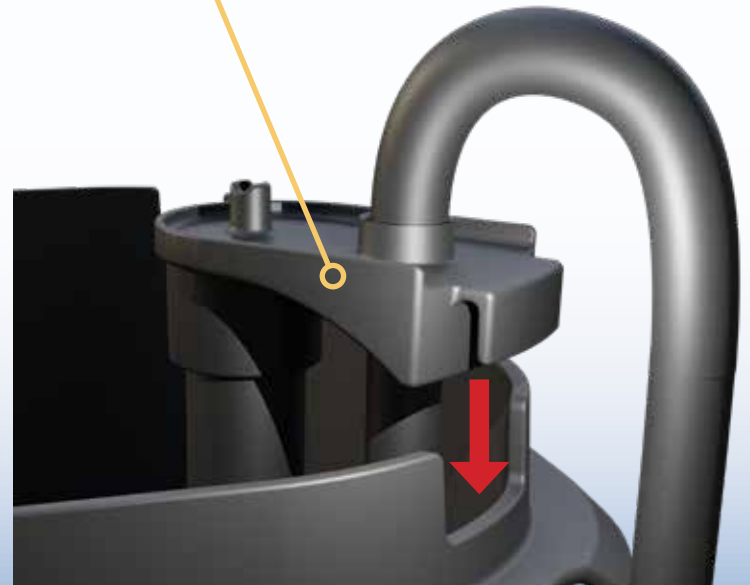


Remember to slide the spring clamps onto the hoses *before* pushing the hose over the barb. Then, position the spring clamp over the barb.

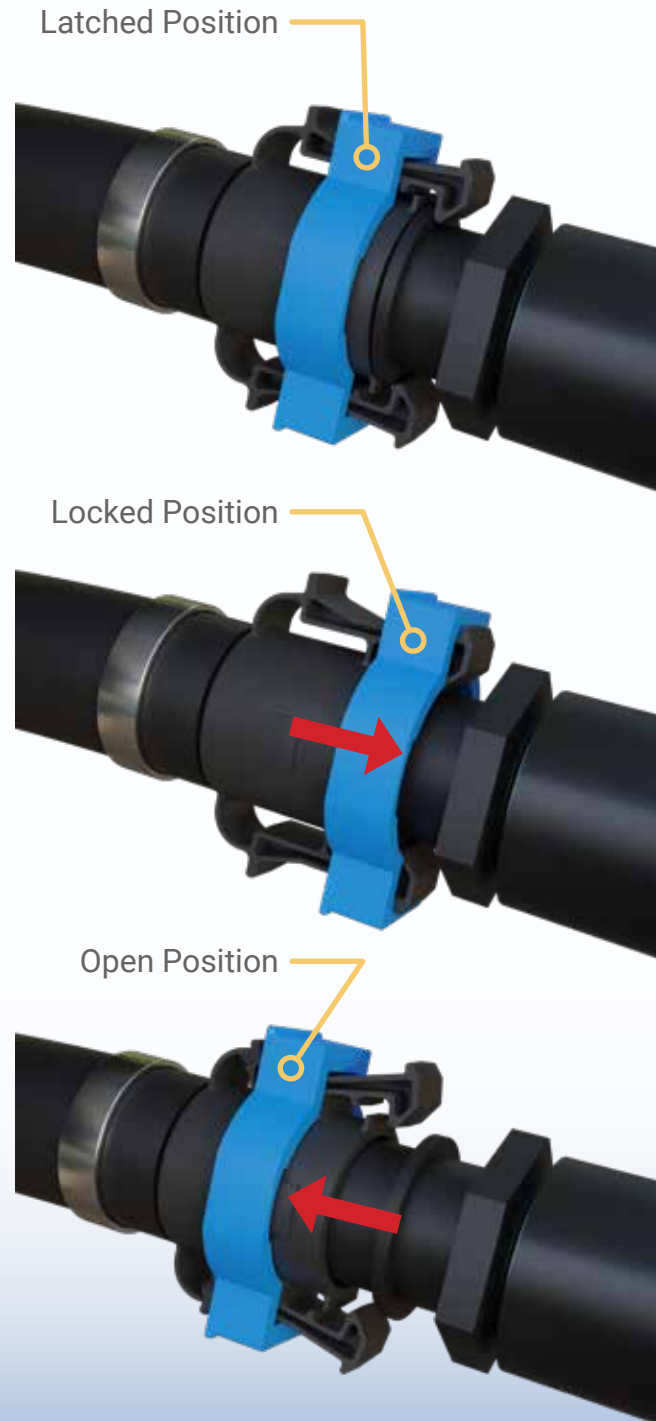
Lower the circulator into the the bucket, mating the bracket to the recessed lip in the corner.



Attach Qwik-Lok hoses to the drain fittings, then to the Tee. Attach the last hose from the tee to the pump. Slide all the locking rings into the locked position.



Qwik-Lok Operation



To connect a Qwik-Lok hose, with the blue ring in the “latched” position, simply push the hose onto the fitting.

Once connected, slide the blue ring to the “locked” position.

To disconnect, hold the blue ring with two fingers and pull the hose off of the fitting in one motion.